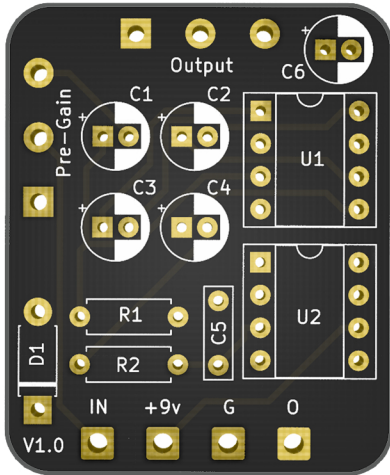




DIRTY-AZTEC

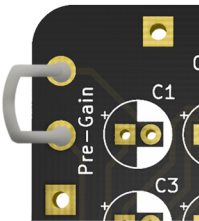


Dirty Aztec B.O.M - Five-Cats-Pedals.co.uk		
Location	Value	Type
C1	100uF	Electrolytic Capacitor
C2	100uF	Electrolytic Capacitor
C3	10uF	Electrolytic Capacitor
C4	1uF	Electrolytic Capacitor
C5	4.7n	Box Cap
C6	1uF	Electrolytic Capacitor
D1	1N4007	Diode
OUTPUT1	A100K	Potentiometer
Pre-Gain1	C500K / B1M	Potentiometer * Optional - see notes.
R1	1M	Resistor
R2	68k	Resistor
U1	LM386	IC
U2	LM386	IC

***if you choose to have the pre-gain, please note this needs to be wired off board, not board mounted.**

Pre-Gain

Without the pre-gain pot, this board is....LOUD! The pre-gain acts the same as the volume control on your guitar, so if you don't want to mess with the guitar volume pot whilst you're playing - the pre-gain pot is for you!



However, if you want a one knob board that will fit in a 1590A and blow your ears off....there's a simple way to do it.

Use the leg of a diode or some wire, and jumper pins 2 + 3 of the pre-gain pot. This will bypass it. leave pin one empty. If you wanted you could also wire this to a trim pot and have an interal control, the order for the pins goes 1/2/3 starting at the square pad.

That's it, pre-gain by-passed.

When you're getting used to this pedal, we suggest the pre-gain all the way and slowly start the output at 1 and build up...then play around - it really is a face meltingly loud board!

WWW.FIVE-CATS-PEDALS.CO.UK



/FIVECATSPEDALS



/FIVE.CATS.PEDALS