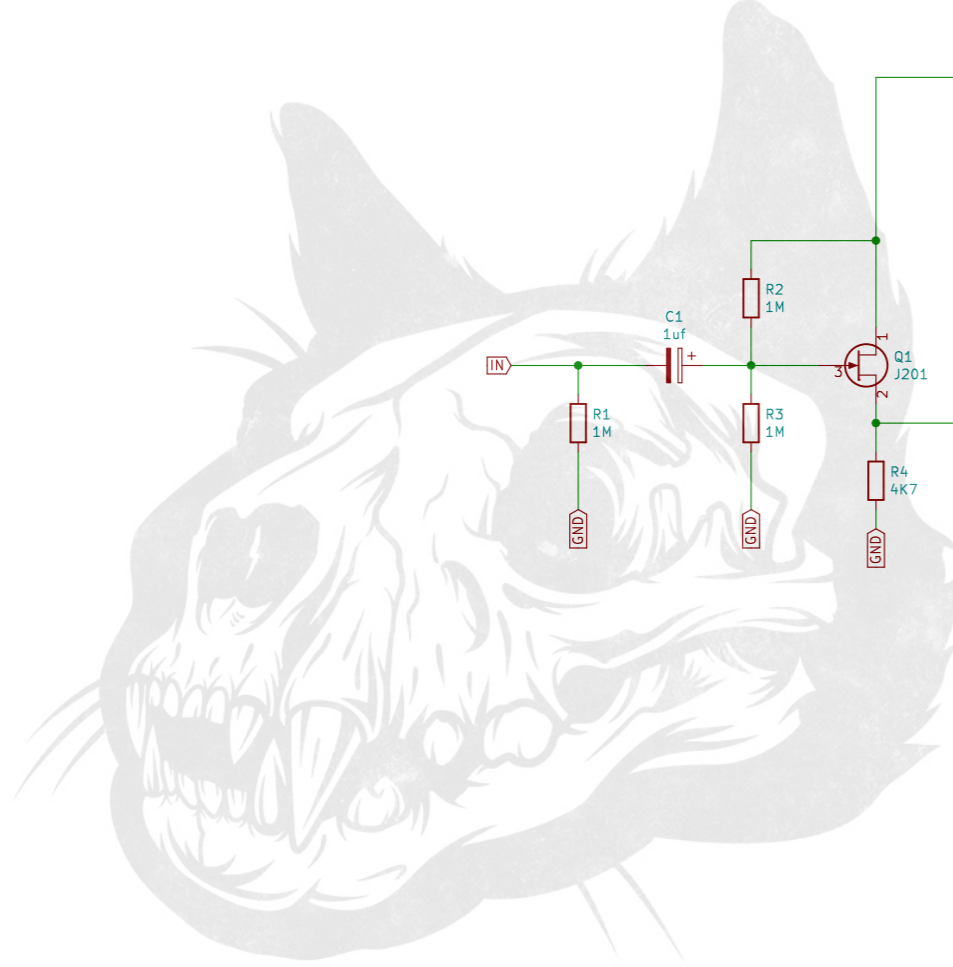


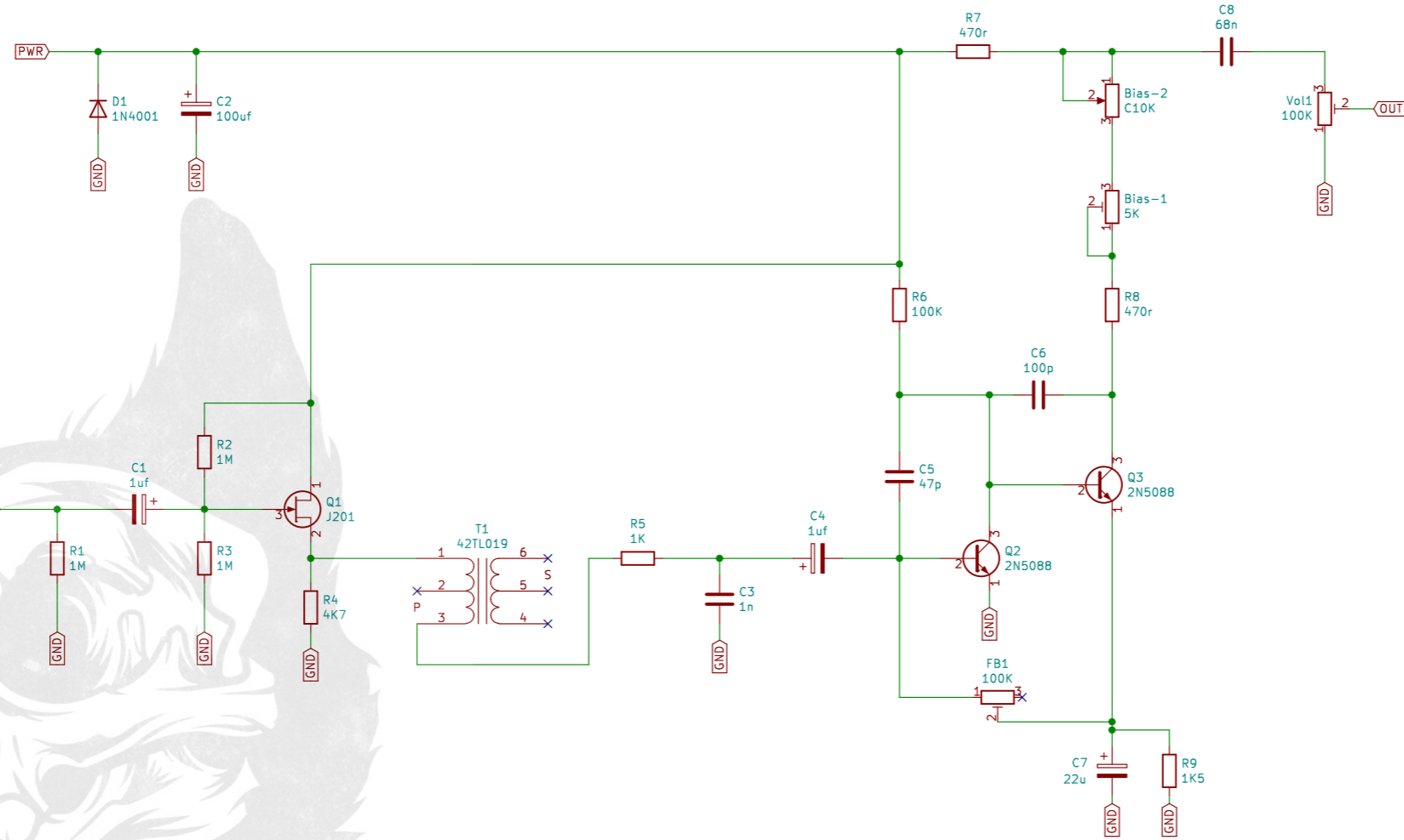
Original Spec EQD Erupter:
 Q1 - PF5102
 Q2 - A2N497
 Q3 - A2N497

Some alternatives:
 Q1: 2N547
 Q2/Q3: 2N3904, 2N2369, 1N5550 (check you pin outs!)

The trim pot "VOL1" acts as a master volume out - you can wire this to a pot (A100K) if you want an external control, the pot pin numbers are on the board.



WWW.FIVE-CATS-PEDALS.CO.UK



Five-Cats-Pedals.co.uk

Sheet: /
 File: Vesuvius.sch

Title: Vesuvius

Size: A3 Date: 2021-08-04
 KiCad E.D.A. kicad (5.1.8)-1

Rev: 1.1
 Id: 1/1