

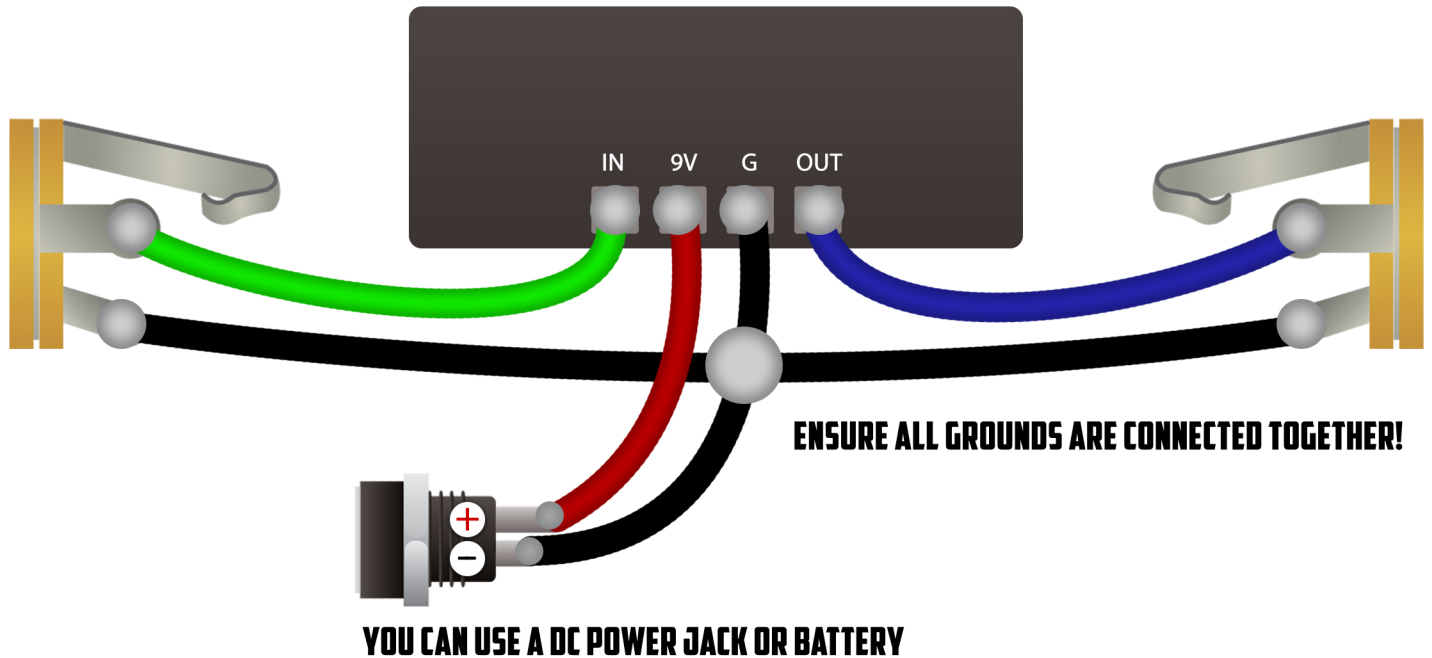
Ref	Value
C1	47uF
C2	100nF
C3	1uF
CLR1	4.7K
D1	1N4001
D100	3MM LED
R1	100K
R2	100K
R3	1M
R4	560R
R5	100K
U1	TL072

It's a small build, designed to be set and forget, always on – but you can add a footswitch and LED if you wanted...but there's not really any point!

Buffers are one of those “do I really need one” type things – well..once you've tried one...you'll realise that you do, and how your guitar should sound – recover that top end that gets sucked away in meters of cables and pedal chains.

Some people put one at the start of their chain and one at the end to really make that signal shine!

TEST HOOKUP FOR YOUR BOARD



UNDER NO CIRCUMSTANCES will troubleshooting help be offered to you if you have skipped this step. Simple.

Before you dive in and start wiring up your LED and 3PDT footswitch, hook it up like the above diagram and make sure it works.

If it doesn't work at this stage, you know the issue is with your board, and not your off board wiring.

If everything works, get cracking on your external wiring - if not, recheck the build docs and your component values, reflow (that's re-heat all the solder joints to ensure they aren't cold) then re-test.

WWW.FIVE-CATS-PEDALS.CO.UK



/FIVECATSPEDALS



/FIVE.CATS.PEDALS

DON'T FORGET TO GRAB A COPY OF OUR
GENERAL PEDAL BUILDING GUIDE AT:

WWW.FIVE-CATS-PEDALS.CO.UK/GENERAL-BUILD-GUIDE