

COMPONENT COUNT  
**54**

COMPARES TO  
**ZVEX  
SEEK  
TREM**

MINIMUM ENCLOSURE  
**HAMMOND  
1590BB  
590  
GORVA**

BOARD DIMENSIONS  
**75 X 72  
MM**

Reference	Value	Footprint
R1	1M	1/4 Watt Resistor
R2	2M7	1/4 Watt Resistor
R3	470R	1/4 Watt Resistor
R4	2.7M	1/4 Watt Resistor
R5	510R	1/4 Watt Resistor
R6	10K	1/4 Watt Resistor
R7	100K	1/4 Watt Resistor
R8	100K	1/4 Watt Resistor
R9	22K	1/4 Watt Resistor
R10	10K	1/4 Watt Resistor
R11	10K	1/4 Watt Resistor
R12	33K	1/4 Watt Resistor
R13	33K	1/4 Watt Resistor
R14	33K	1/4 Watt Resistor
R15	33K	1/4 Watt Resistor
R16	33K	1/4 Watt Resistor
R17	33K	1/4 Watt Resistor
R18	33K	1/4 Watt Resistor
R19	33K	1/4 Watt Resistor
R20	33K	1/4 Watt Resistor
C1	100nF	Box/MLCC Capacitor
C2	100uF	Electrolytic Capacitor - Min 16V
C3	10uF	Electrolytic Capacitor - Min 16V
C4	1uF	Electrolytic Capacitor - Min 16V
C5	1uF	Electrolytic Capacitor - Min 16V
C220uF1	220uF	Electrolytic Capacitor - Min 16V

D1	1N575A	9.1V Zener
D2	1N4148	Standard Diode
D3	1N4148	Standard Diode
D4	1N4148	Standard Diode
D5	LED	3MM LED
D6	LED	3MM LED
D7	LED	3MM LED
D8	LED	3MM LED
D9	LED	3MM LED
D10	LED	3MM LED
D11	LED	3MM LED
D12	LED	3MM LED
Q1	BS170	N-Channel Mosfet : DGS
Q2	BS170	N-Channel Mosfet : DGS
TRIM1	5K	6mm Trim Pot
U1	Vactrol-2-Part	vtl5c3
U2	TL072	8 Pin Dual Op-Amp
U3	CD4017BE	16 Pin Decade Counter

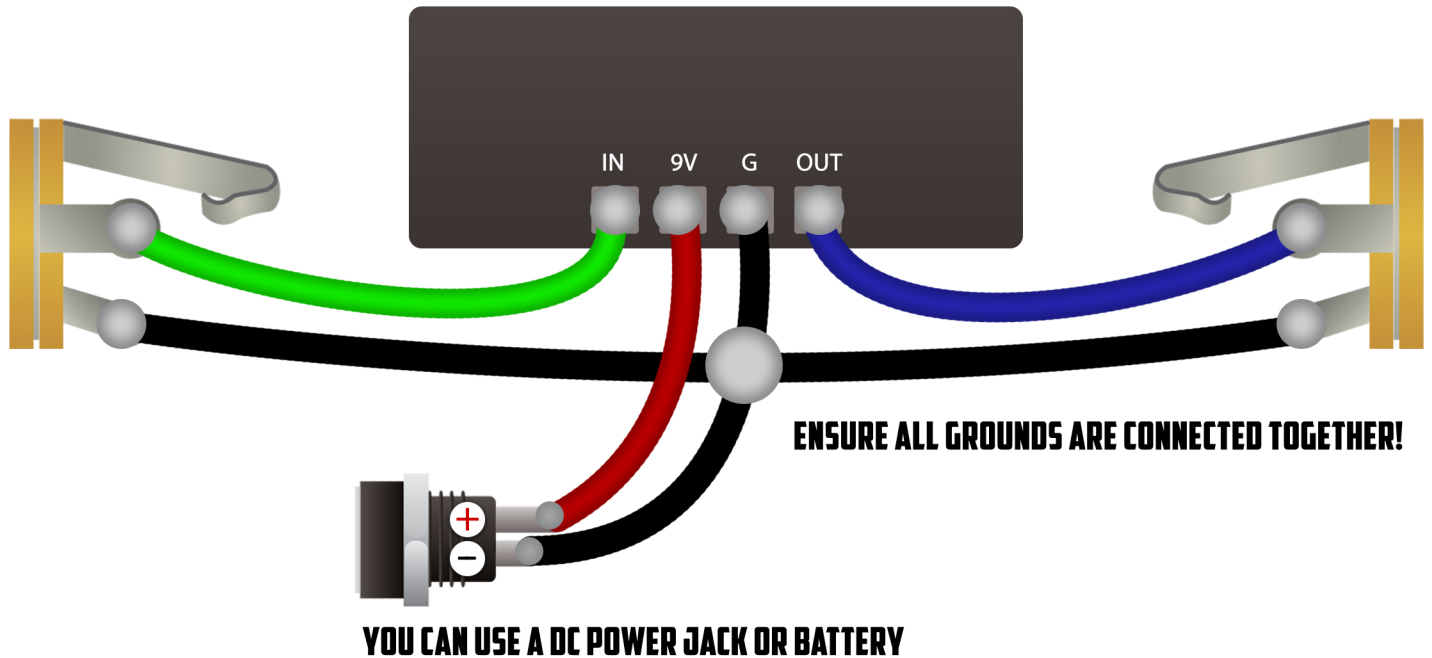
[WWW.FIVE-CATS-PEDALS.CO.UK](http://WWW.FIVE-CATS-PEDALS.CO.UK)



DON'T FORGET TO GRAB A COPY OF OUR  
GENERAL PEDAL BUILDING GUIDE AT:

[WWW.FIVE-CATS-PEDALS.CO.UK/GENERAL-BUILD-GUIDE](http://WWW.FIVE-CATS-PEDALS.CO.UK/GENERAL-BUILD-GUIDE)

# TEST HOOKUP FOR YOUR BOARD



**UNDER NO CIRCUMSTANCES** will troubleshooting help be offered to you if you have skipped this step. Simple.

Before you dive in and start wiring up your LED and 3PDT footswitch, hook it up like the above diagram and make sure it works.

If it doesn't work at this stage, you know the issue is with your board, and not your off board wiring.

If everything works, get cracking on your external wiring - if not, recheck the build docs and your component values, reflow (that's re-heat all the solder joints to ensure they aren't cold) then re-test.

[WWW.FIVE-CATS-PEDALS.CO.UK](http://WWW.FIVE-CATS-PEDALS.CO.UK)



/FIVECATSPEDALS



/FIVE.CATS.PEDALS

DON'T FORGET TO GRAB A COPY OF OUR  
GENERAL PEDAL BUILDING GUIDE AT:

[WWW.FIVE-CATS-PEDALS.CO.UK/GENERAL-BUILD-GUIDE](http://WWW.FIVE-CATS-PEDALS.CO.UK/GENERAL-BUILD-GUIDE)