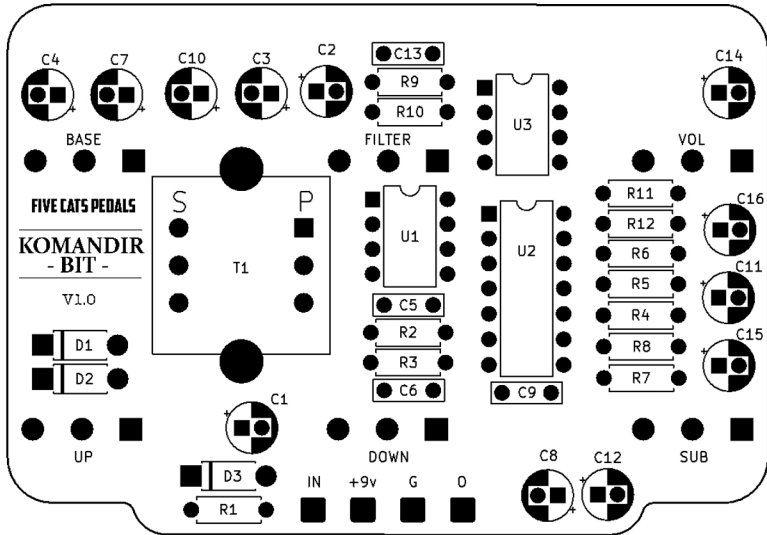


KOMANDIR - BIT -



COMPONENT COUNT
41

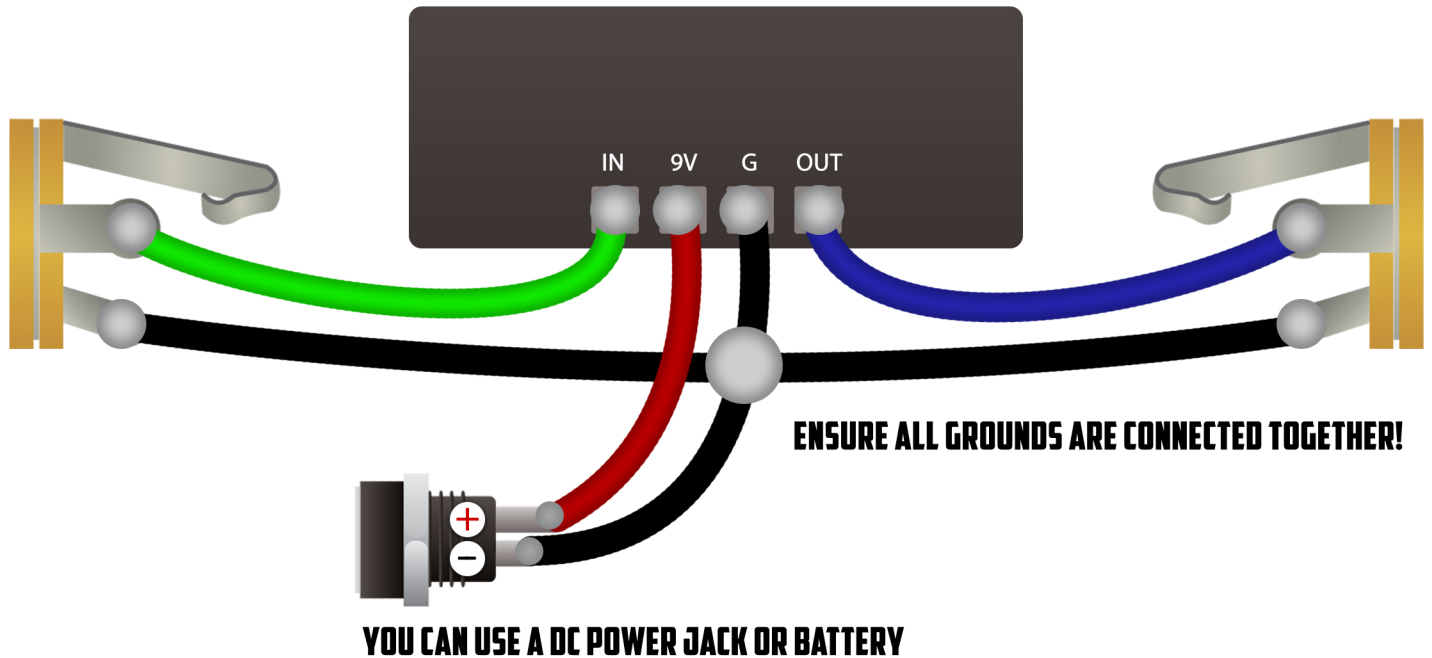
COMPARES TO
**EOD BIT
COMMANDER**

MINIMUM ENCLOSURE
**HAMMOND
1590BB
590
GORVA**

BOARD DIMENSIONS
**78 X 54
MM**

Reference	Value	Footprint			
R1	1M	1/4 Watt Resistor	C11	1uF	Electrolytic Capacitor - Min 16V
R2	22K	1/4 Watt Resistor	C12	1uF	Electrolytic Capacitor - Min 16V
R3	100K	1/4 Watt Resistor	C13	22nF	Box/MLCC Capacitor
R4	47K	1/4 Watt Resistor	C14	1uF	Electrolytic Capacitor - Min 16V
R5	100K	1/4 Watt Resistor	C15	100uF	Electrolytic Capacitor - Min 16V
R6	220K	1/4 Watt Resistor	C16	10uF	Electrolytic Capacitor - Min 16V
R7	220K	1/4 Watt Resistor			
R8	220K	1/4 Watt Resistor	D1	1N4148	Standard Diode
R9	10K	1/4 Watt Resistor	D2	1N4148	Standard Diode
R10	10K	1/4 Watt Resistor	D3	1N5817	Schottky Diode
R11	10K	1/4 Watt Resistor	T1	42TM011-RC	6 Pin Audio Transformer 1.5K / 500R
R12	10K	1/4 Watt Resistor			
C1	1uF	Electrolytic Capacitor - Min 16V	U1	JRC386D	8 Pin Low Voltage Audio Power Amplifier
C2	10uF	Electrolytic Capacitor - Min 16V	U2	CD4042BE	16 Pin Logic Type: D-Type Transparent Latch
C3	1uF	Electrolytic Capacitor - Min 16V	U3	TL072	8 Pin Dual Op-Amp
C4	1uF	Electrolytic Capacitor - Min 16V			
C5	10nF	Box/MLCC Capacitor	BASE1	B100K	16mm Potentiometer
C6	22nF	Box/MLCC Capacitor	DOWN1	B100K	16mm Potentiometer
C7	100uF	Electrolytic Capacitor - Min 16V	FILTER1	B5K	16mm Potentiometer
C8	1uF	Electrolytic Capacitor - Min 16V	SUB1	B100K	16mm Potentiometer
C9	1nF	Box/MLCC Capacitor	UP1	B100K	16mm Potentiometer
C10	1uF	Electrolytic Capacitor - Min 16V	VOL1	A100K	16mm Potentiometer

TEST HOOKUP FOR YOUR BOARD



UNDER NO CIRCUMSTANCES will troubleshooting help be offered to you if you have skipped this step. Simple.

Before you dive in and start wiring up your LED and 3PDT footswitch, hook it up like the above diagram and make sure it works.

If it doesn't work at this stage, you know the issue is with your board, and not your off board wiring.

If everything works, get cracking on your external wiring - if not, recheck the build docs and your component values, reflow (that's re-heat all the solder joints to ensure they aren't cold) then re-test.

WWW.FIVE-CATS-PEDALS.CO.UK



/FIVECATSPEDALS



/FIVE.CATS.PEDALS

DON'T FORGET TO GRAB A COPY OF OUR
GENERAL PEDAL BUILDING GUIDE AT:

WWW.FIVE-CATS-PEDALS.CO.UK/GENERAL-BUILD-GUIDE